

# MIG SPOOL GUN

● Light Industrial

● Medium Industrial

CST 251

Successful welding with aluminum requires a stable arc. With its short feed distance, this spool gun provides a steady, reliable feed of the soft aluminum wire.

Canaweld Spool guns improve the "feed ability" of aluminum and other type of wires that are difficult to feed, through the standard MIG gun, by locating a small 1 lb. 1/4-inch diameter spool of wire on a pistol-grip style gun.

CST251 spool gun is a 200 A lightweight, well balanced semi-automatic spool gun, with dual groove drive rolls, heavy duty and all metal wire feeder and is easy to set up. It has been designed for easy and reliable aluminum wire feeding with a variety of CV power sources and engine-driven welders. The control connector is metal-made too. It features easy access to the drive assembly which reduces service time and allows for routine maintenance without disassembly of gun.

## FEATURES

- Excellent and reliable for running 1-pound spools of aluminum MIG welding wire or 2-pound spools of mild steel and stainless steel. Silicon bronze MIG welding wire can be used too.
- Processes: MIG (GMAW) for Aluminum wire size: 0.030"/0.035"/0.040"/3/64" (0.8/0.9/1.0/1.2 mm) MIG (GMAW) for Solid wire size: 0.023"/ 0.030"/ 0.035"/0.040" (0.6 – 0.8- 0.9-1.0 mm) and Flux Cored wire size: 0.030"/ 0.035"/0.040" (0.8- 0.9-1.0 mm)
- Flexible steel spring guard strain relief protects the cable from wear by preventing kinking and abrasion and improves wire feed-ability.
- Easy nozzle adjustment and plug-in gas nozzle.
- Ability to check remaining wire at a glance by a clear wire spool cover.
- Easy adjustment of drive roll tension and pressure lever on the spool gun handle.
- Heavy duty and metal made wire feeder mechanism.
- Ideal for light and medium duty industries.
- 9-pin, metal made, durable control connector direct-plug to the welder.



## PROCESSES

- MIG (GMAW)
- Pulsed MIG (GMAW-P) with pulsing power source
- FCAW

## WIRE TYPES

- Aluminum
- Steel
- Flux Cored Wire

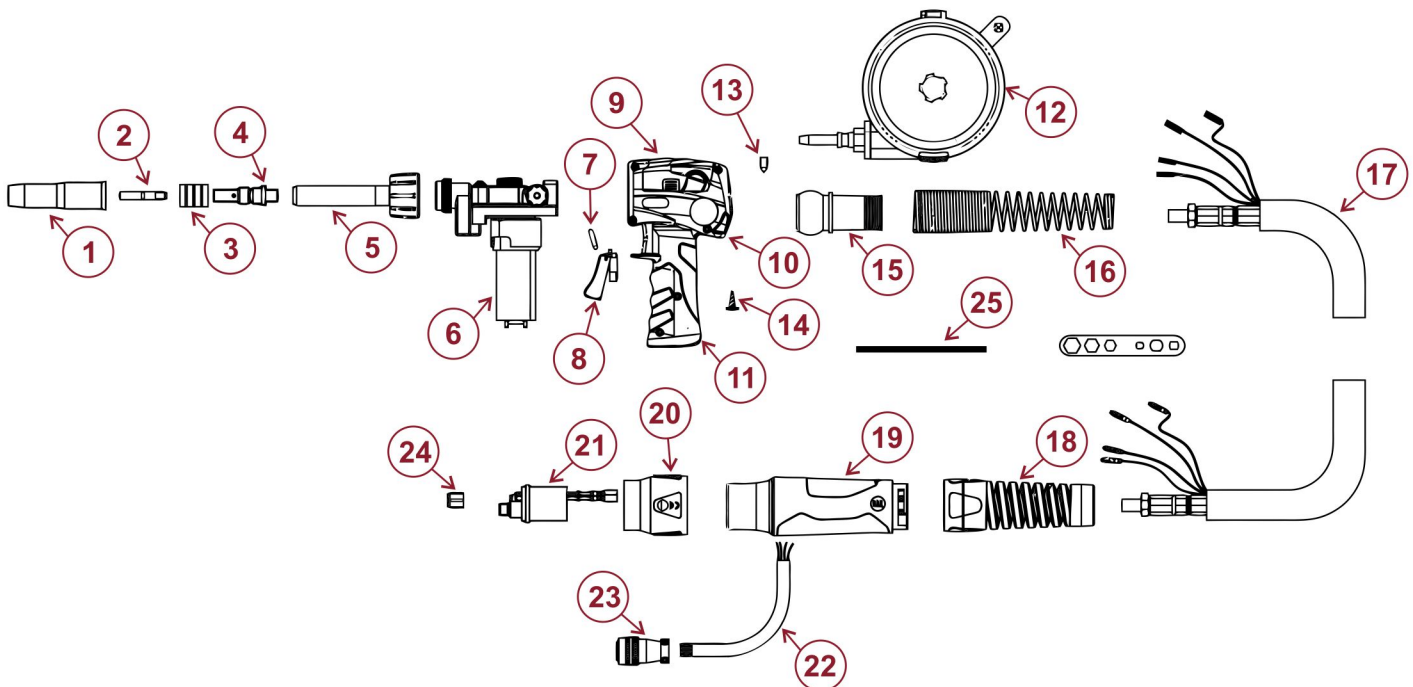
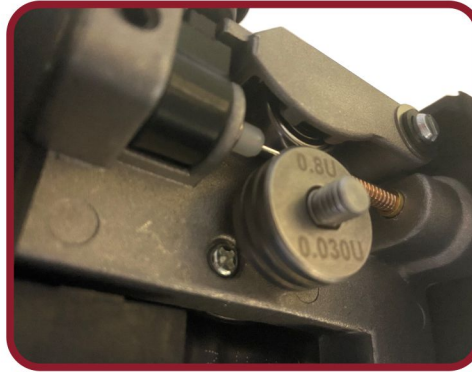
## INDUSTRIAL APPLICATIONS

- Trucks Trailers and Railcars
- Travel and Cargo Trailers.
- Recreational Vehicles.
- Automotive/Motorcycle Frames
- Sports products - Scooters/Bicycles
- Sign Manufacturers
- General Repair And Maintenance
- Wheels
- Furniture
- Ladders and frames
- Ship Decks
- Aerospace Hardware
- Boat/Yacht Building
- Fabrication

### CST 251 Technical Specification

<b>Welding Output:</b>	<b>200 Amps at 60% Duty Cycle</b>
Recommended Wire Diameter:	
For Aluminum:	0.030"/0.035"/0.040"/(3/64") (0.8/0.9/1.0/1.2 mm)
For Solid wire:	0.023"/0.030"/0.035"/0.40" (0.6/0.8/0.9/1.0 mm)
For Flux Cored wire:	0.030"/0.035"/0.040" (0.8/0.9/1.0 mm)
Motor Voltage:	24 Volt DC
Head and Nozzle style:	Tweco Style
Maximum Spool Size (Al or Solid wire):	4" /102 mm
Central Connector type:	Euro connector
Copper Cable Length:	10/13/20 ft. (3/4/6 meter).
Weight (Gun Only):	2.71 Lb /1.23 Kg

CANAWELD RESERVES THE RIGHTS OF CHANGING THE SPECIFICATION WITHOUT NOTICE



NO.	NAME	PART NO.	QTY	NO.	NAME	PART NO.	QTY
1	Gas Nozzle #13/22-50	CWICS0789	1	14	Screw M4 x 16	CWIFT0552	7
2	Contact Tip 0.8/ 1/4-28x38 AL Tw2	CWICU0008-58	1	15	Joint for MIG GRIP HANDLE	CWIHJ0777	1
3	Insulator 32	CWICK0680	1	16	SPRING/LONG/FRONT	CWIFT8944	1
4	Diffuser 52	CWICF0077	1	17	COAXIAL CABLE/25 MMQ/DIAMETER 5 MM/4 WIRES/3M	CWICN0943-01	1
5	Torch Head/ Tw2	CWICZ0686	1	18	SPRING SUPPORT/MIG WATER COOLING/BLACK	CWIFT0960	1
6	Frame/ Wire Drawing Welding Torch	CWIZH0710	1	19	BACK BOX HOLE FOR GAS AND WATER COOLING TORCH/BLACK	CWIHJ0940	1
7	Cylindrical pin #1.5x20 / Stainless Steel	CWIFT8151	1	20	GUN PLUG BRASS NUT FOR GAS AND WATER COOLING/BLACK	CWIHJ0097	1
8	Trigger Red	CWIHQ0070	1	21	EURO CENTRAL ADAPTER BODY / SPRING PINS	CWITB0059	1
9	Switch CAP/PC	CWIHJ0515	1	22	CONTROL WIRE 4X0.5 MMQ	CWIHQ0367	0.5
10	Handle decorative board/ PA66 + 30 % GF	CWIHJ0511	1	23	CONNECTOR WF20J9T1	CWIHQ0490	1
11	MIG GRIP HANDLE/100/150/PA66 + 30 % GF	CWICV0600	1	24	LINER NUT / WITHOUT HOLE	CWIZT0071-02	1
12	Spool Gun reel assembly	CWIHJ0189	1	25	LINER 4.0 x 2.0x 200MM	CWIC0635	1
13	Hexagon Screw M4 x 4 GB/T80	CWIFT8966	1				